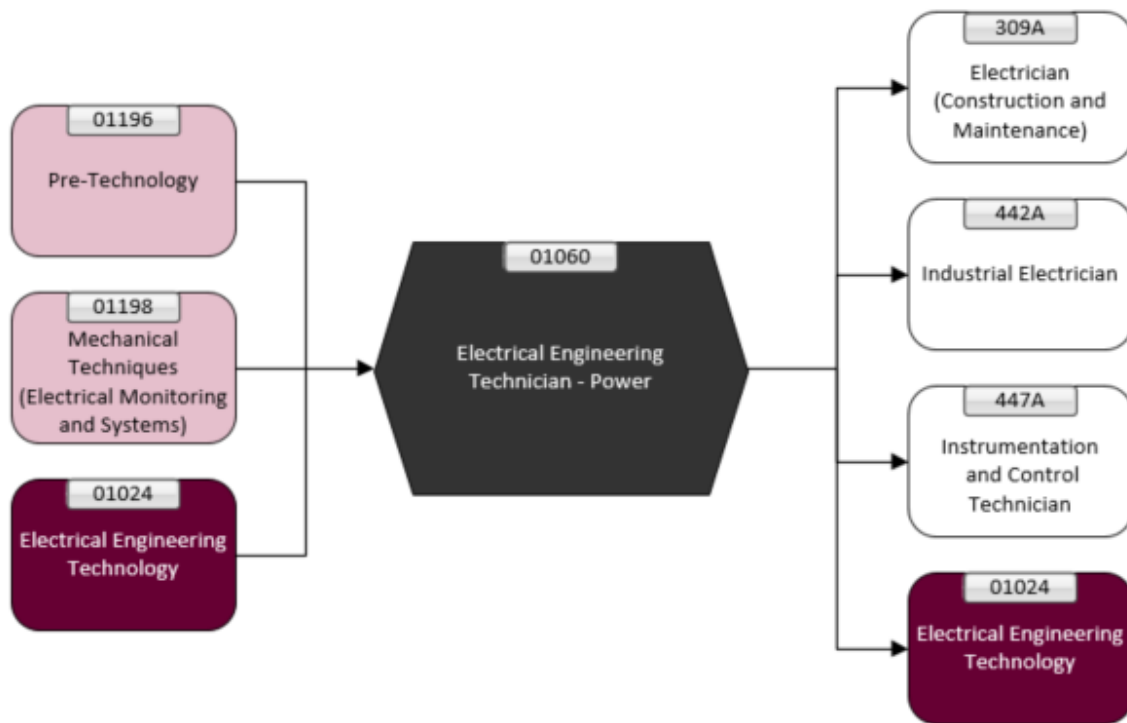


Electrical Engineering Technician - Power (OCD) Program Pathways Map

This Pathways map shows how the identified program can lead to future program choices.



	Identified Program		OCD (Intensive)
	Degree		OCD
	OCGC		OCC
	OCAD		MCC

Enter Semester 1 unless otherwise specified. Equivalencies and/or course exemptions may apply. Prerequisite courses and/or minimum averages may be required. Contact the academic area for full details.